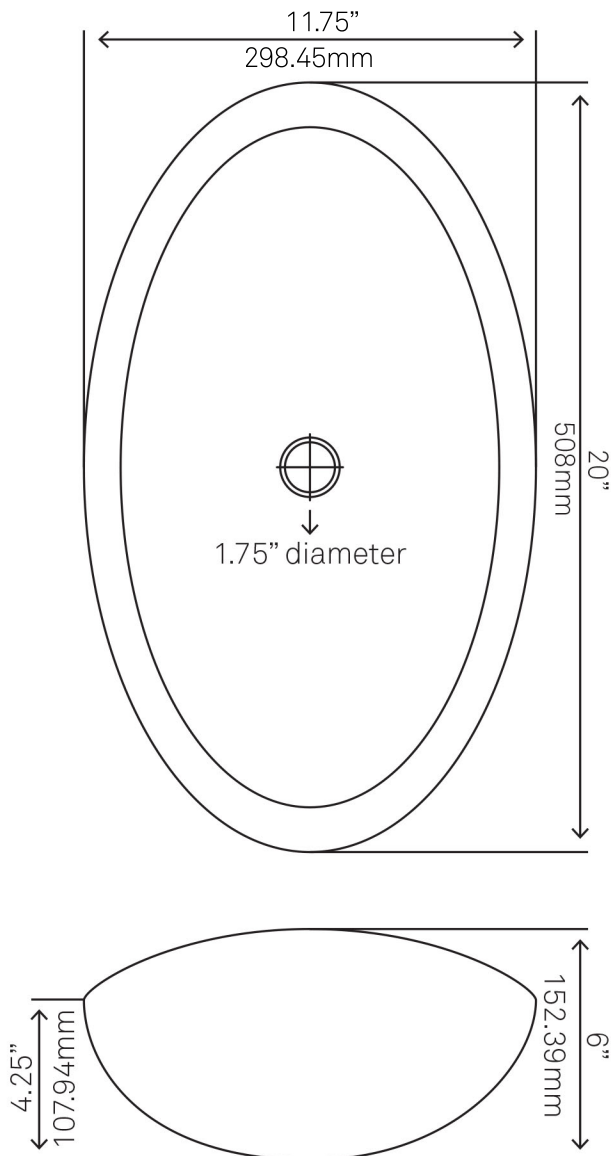




**NOSV-AS**  
**Absolute Natural Granite Slipper Sink**

Requested By: \_\_\_\_\_

Specific Features: \_\_\_\_\_



**STANDARD SPECIFICATIONS:**

- Oval granite vessel sink
- Polished black interior
- Natural textured exterior
- Hand crafted by our master artisans
- Above counter installation
- No mounting ring required
- Unique Oval slipper shape
- 7/8" thick granite
- Inside dimension: 18.25 x 10
- Standard U.S. plumbing connection

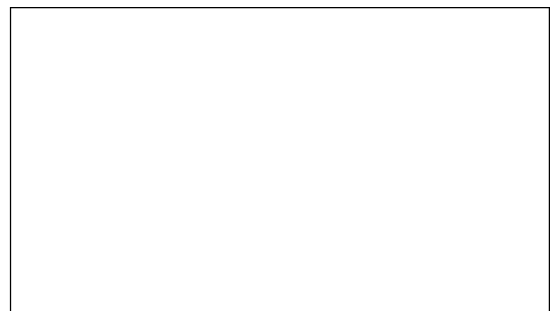
**WARRANTY:**

- Limited lifetime warranty
- See [www.NovattoInc.com](http://www.NovattoInc.com) for details

**COORDINATING ACCESSORIES:**

- UPD-BN/CH/ORB/MB umbrella drain
- Glacier Ice Faucet and Sink Sealer kit

**NOTES**



Novatto reserves the right (1) to make changes in specifications and materials, and (2) to change or discontinue models, both without notice or obligation. Dimensions are for reference only, see [www.NovattoInc.com](http://www.NovattoInc.com) for finish options and product availability.

Novatto Inc  
 TOLL FREE 844.404.4242  
[www.NovattoInc.com](http://www.NovattoInc.com)